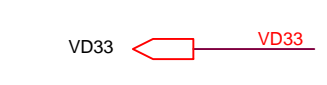
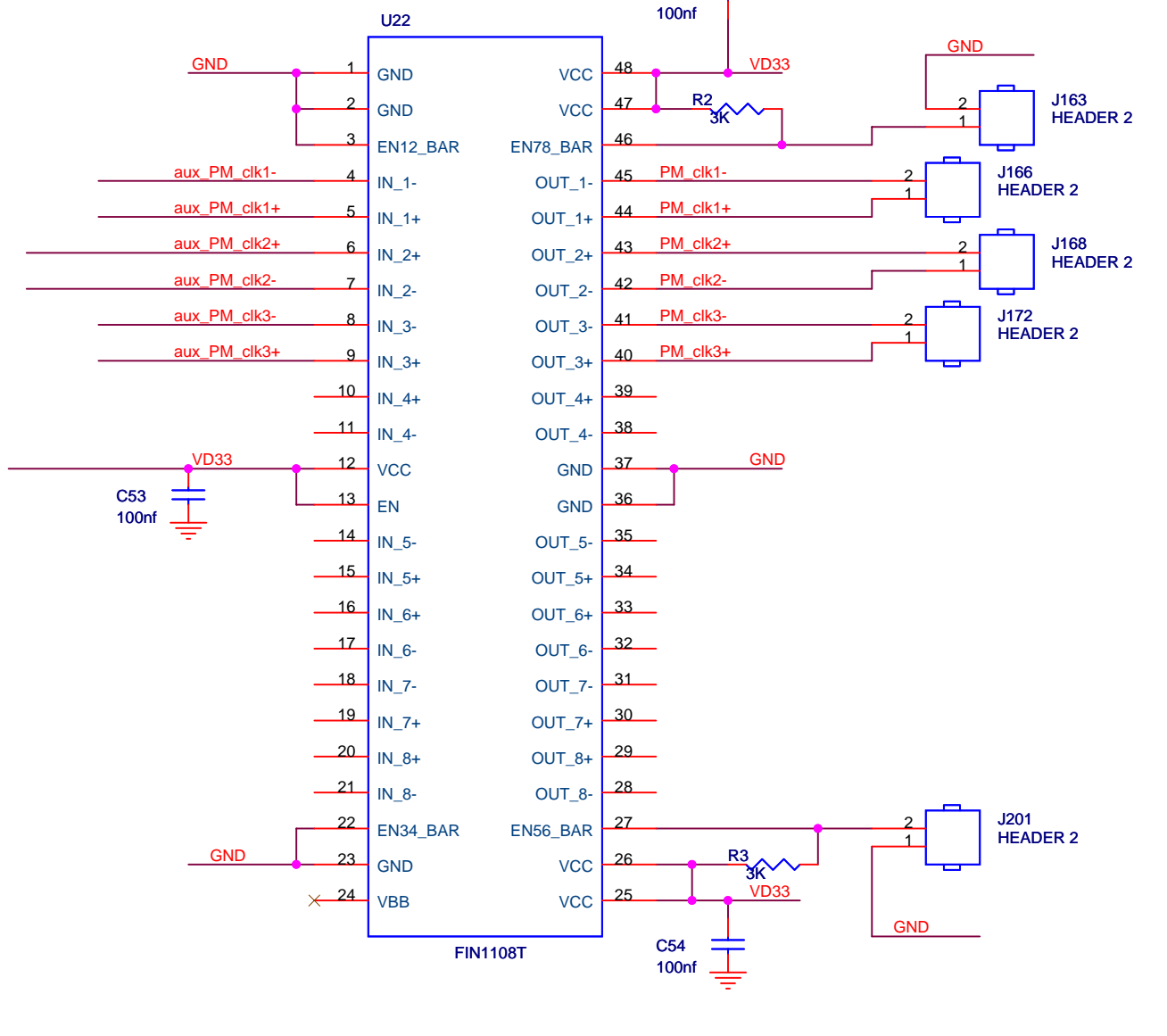
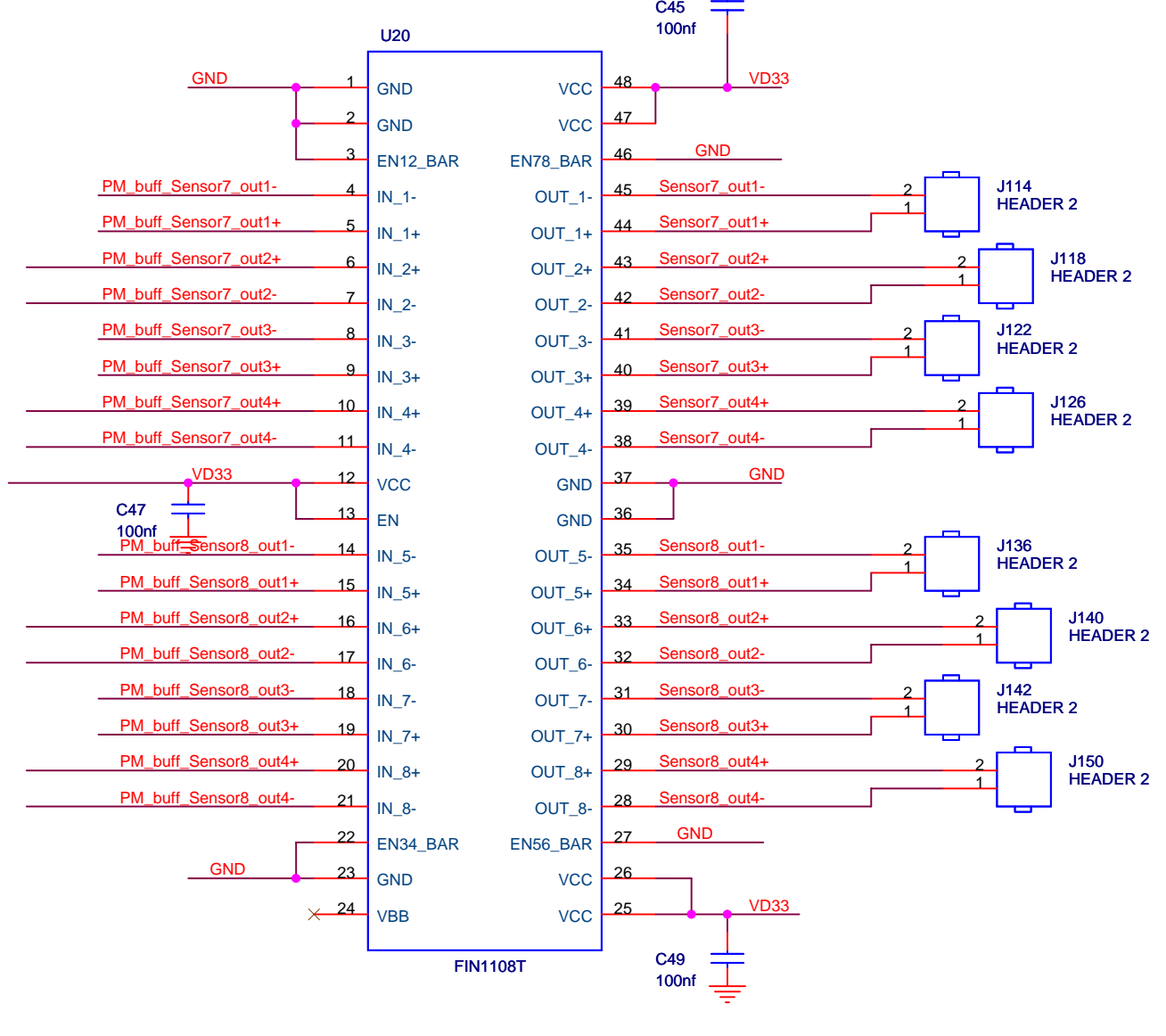
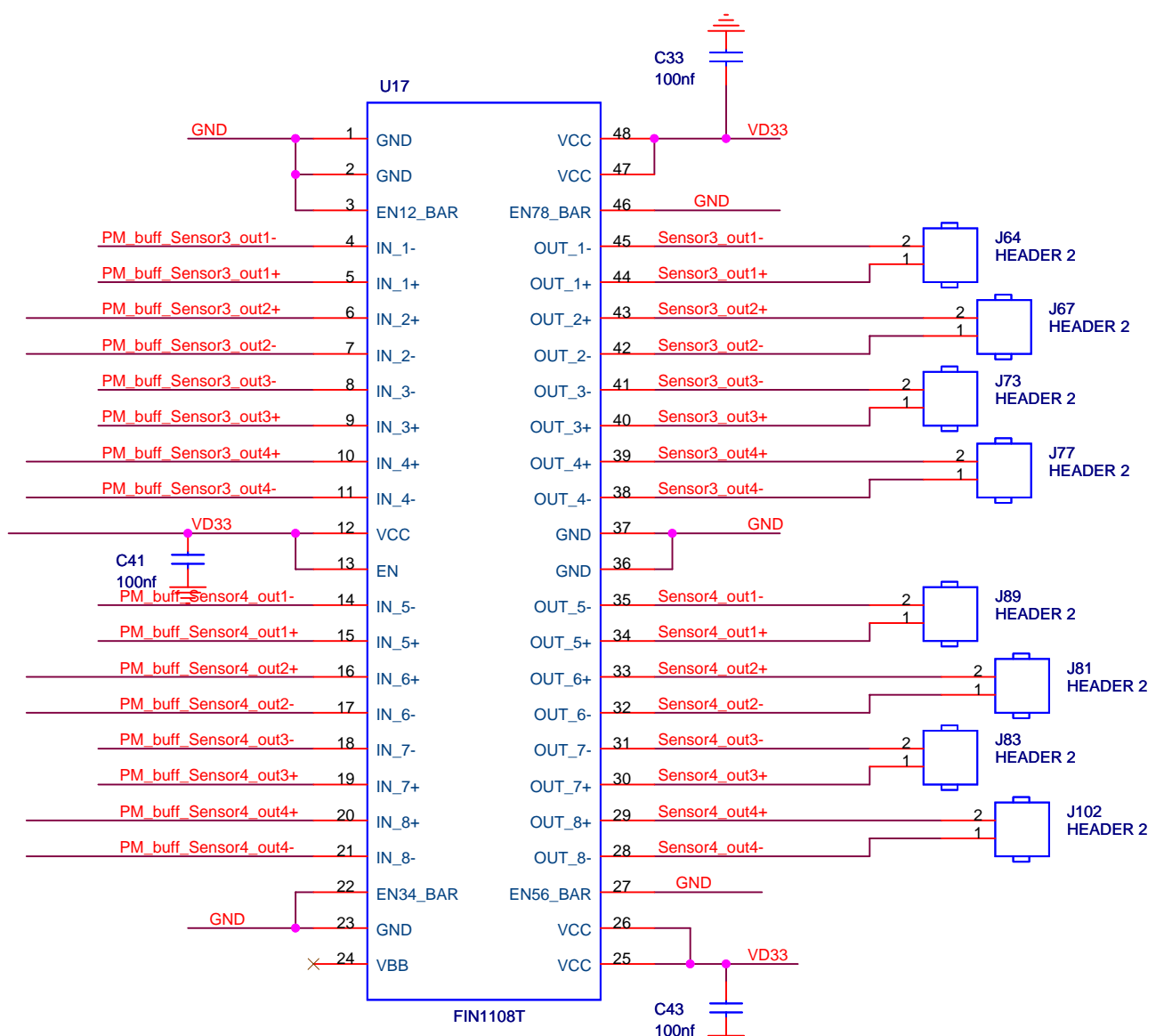
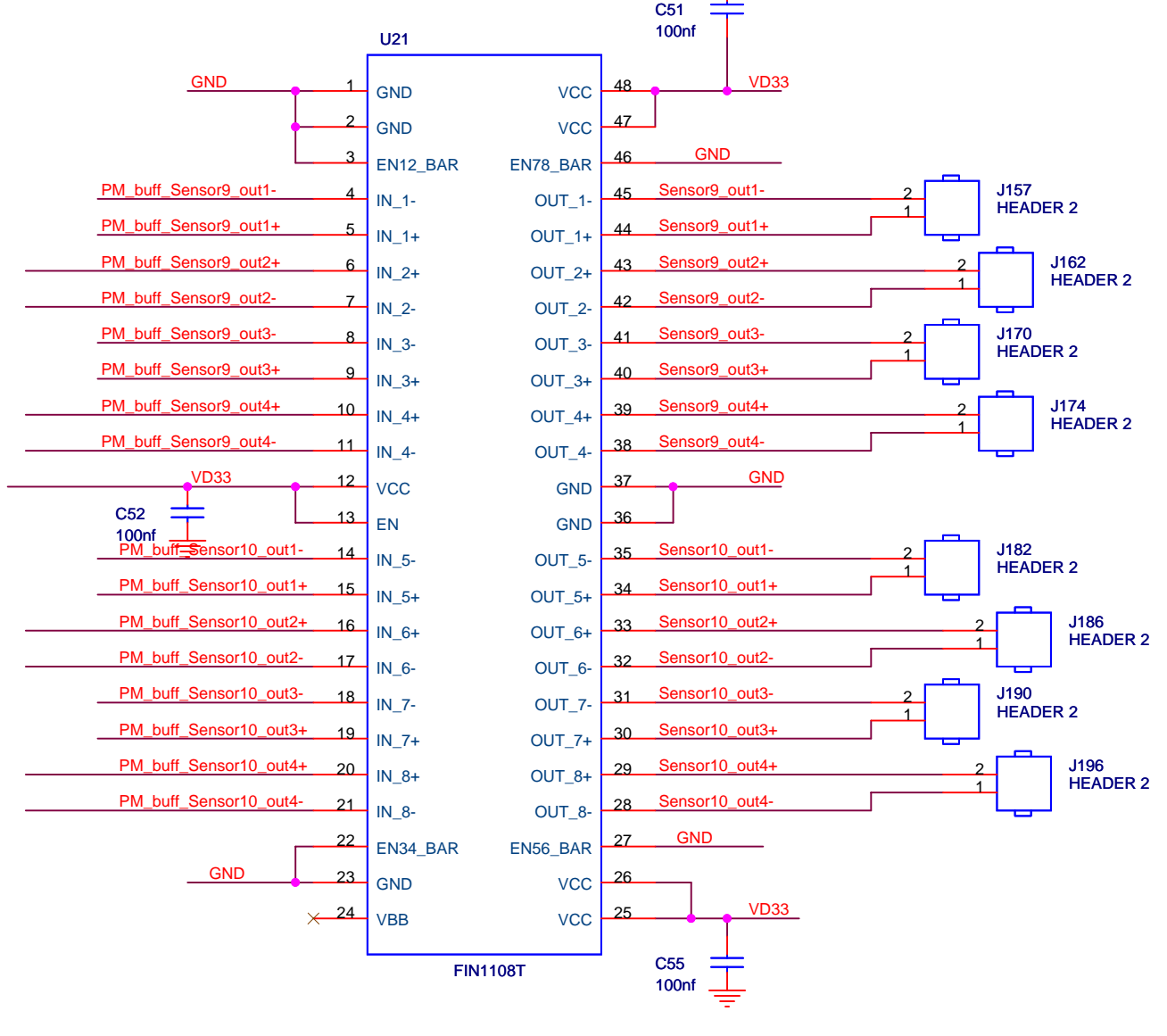
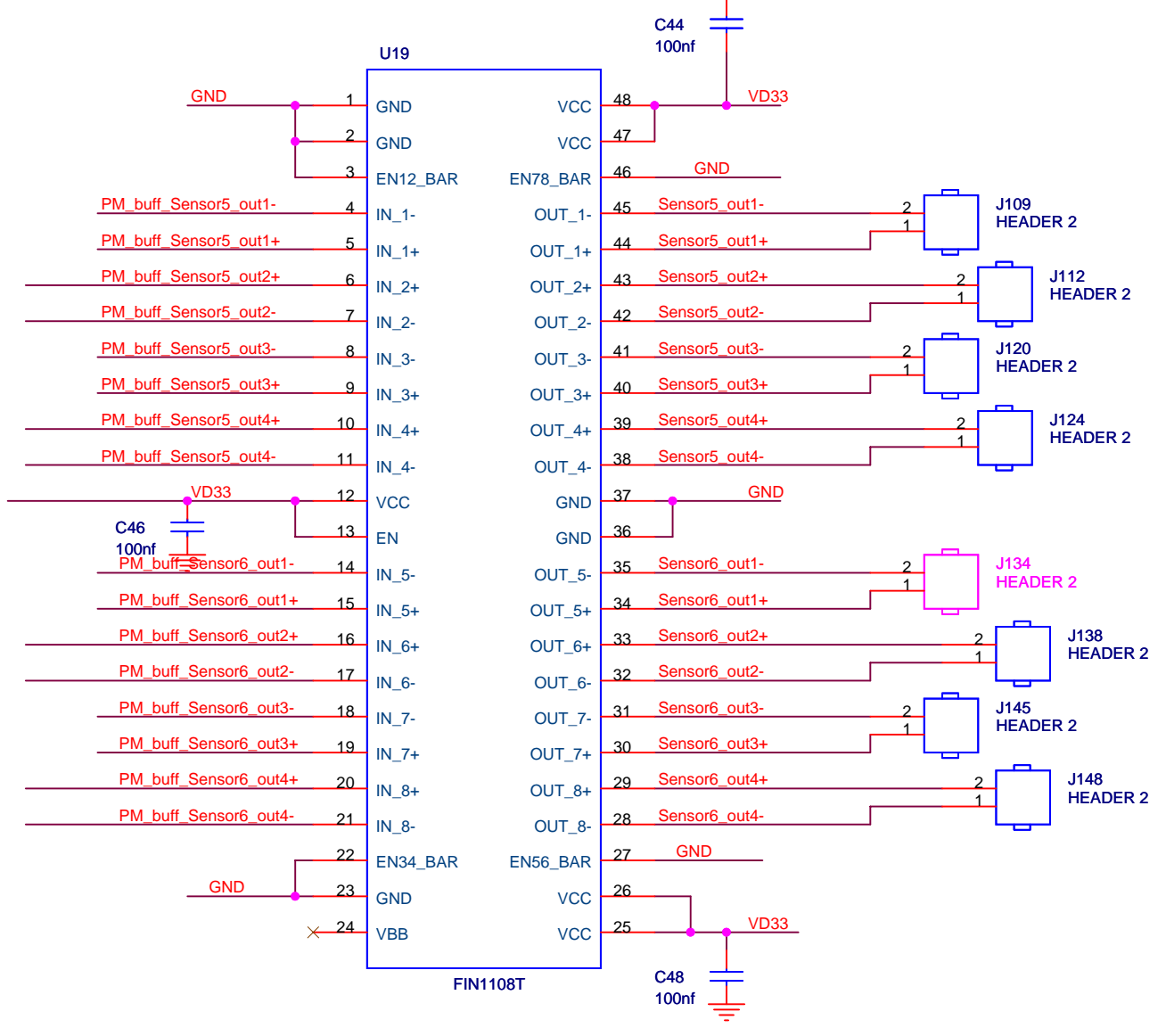
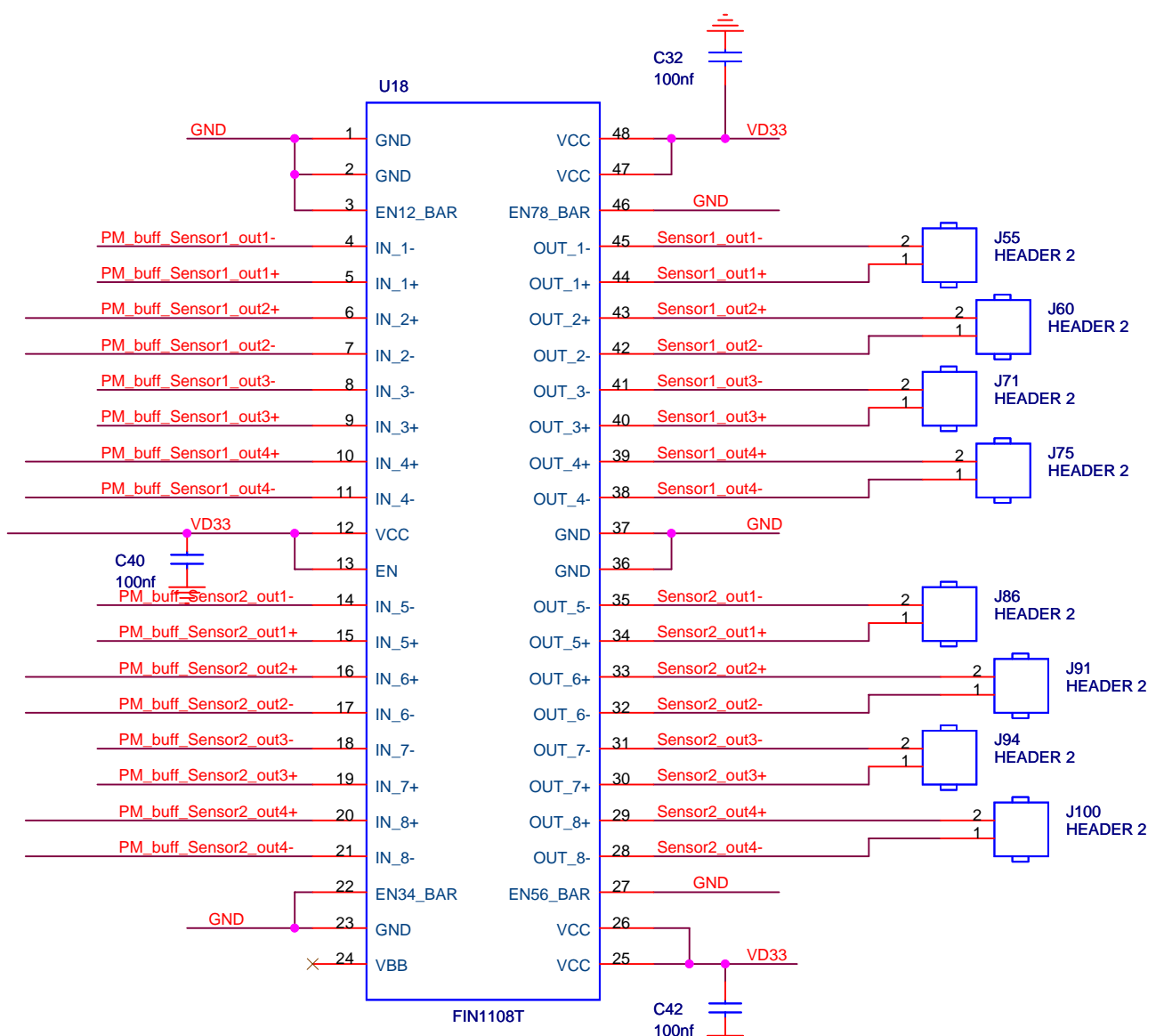
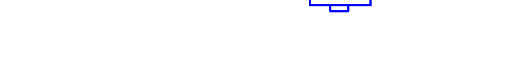
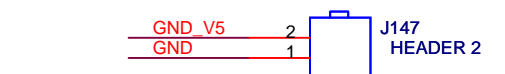


PM_buff_Sensor7_out1+	B1	1	PM_buff_Sensor1_out1+
PM_buff_Sensor7_out2+	B2	2	PM_buff_Sensor1_out2+
PM_buff_Sensor7_out3+	B3	3	PM_buff_Sensor1_out3+
PM_buff_Sensor7_out4+	B4	4	PM_buff_Sensor1_out4+
PM_buff_Sensor7_out5+	B5	5	PM_buff_Sensor2_out1+
PM_buff_Sensor7_out6+	B6	6	PM_buff_Sensor2_out2+
PM_buff_Sensor7_out7+	B7	7	PM_buff_Sensor2_out3+
PM_buff_Sensor7_out8+	B8	8	PM_buff_Sensor2_out4+
PM_buff_Sensor7_out9+	B9	9	PM_buff_Sensor3_out1+
PM_buff_Sensor7_out10+	B10	10	PM_buff_Sensor3_out2+
PM_buff_Sensor7_out11+	B11	11	PM_buff_Sensor3_out3+
PM_buff_Sensor7_out12+	B12	12	PM_buff_Sensor3_out4+
PM_buff_Sensor7_out13+	B13	13	PM_buff_Sensor4_out1+
PM_buff_Sensor7_out14+	B14	14	PM_buff_Sensor4_out2+
PM_buff_Sensor7_out15+	B15	15	PM_buff_Sensor4_out3+
PM_buff_Sensor7_out16+	B16	16	PM_buff_Sensor4_out4+
PM_buff_Sensor7_out17+	B17	17	PM_buff_Sensor5_out1+
PM_buff_Sensor7_out18+	B18	18	PM_buff_Sensor5_out2+
PM_buff_Sensor7_out19+	B19	19	PM_buff_Sensor5_out3+
PM_buff_Sensor7_out20+	B20	20	PM_buff_Sensor5_out4+
PM_buff_Sensor7_out21+	B21	21	PM_buff_Sensor6_out1+
PM_buff_Sensor7_out22+	B22	22	PM_buff_Sensor6_out2+
PM_buff_Sensor7_out23+	B23	23	PM_buff_Sensor6_out3+
PM_buff_Sensor7_out24+	B24	24	PM_buff_Sensor6_out4+
PM_buff_Sensor7_out25+	B25	25	PM_buff_Sensor7_out1+
PM_buff_Sensor7_out26+	B26	26	PM_buff_Sensor7_out2+
PM_buff_Sensor7_out27+	B27	27	PM_buff_Sensor7_out3+
PM_buff_Sensor7_out28+	B28	28	PM_buff_Sensor7_out4+
PM_buff_Sensor7_out29+	B29	29	PM_buff_Sensor8_out1+
PM_buff_Sensor7_out30+	B30	30	PM_buff_Sensor8_out2+
PM_buff_Sensor7_out31+	B31	31	PM_buff_Sensor8_out3+
PM_buff_Sensor7_out32+	B32	32	PM_buff_Sensor8_out4+
PM_buff_Sensor7_out33+	B33	33	PM_buff_Sensor9_out1+
PM_buff_Sensor7_out34+	B34	34	PM_buff_Sensor9_out2+
PM_buff_Sensor7_out35+	B35	35	PM_buff_Sensor9_out3+
PM_buff_Sensor7_out36+	B36	36	PM_buff_Sensor9_out4+
PM_buff_Sensor7_out37+	B37	37	PM_buff_Sensor10_out1+
PM_buff_Sensor7_out38+	B38	38	PM_buff_Sensor10_out2+
PM_buff_Sensor7_out39+	B39	39	PM_buff_Sensor10_out3+
PM_buff_Sensor7_out40+	B40	40	PM_buff_Sensor10_out4+
PM_buff_Sensor7_out41+	B41	41	PM_buff_Sensor10_out5+
PM_buff_Sensor7_out42+	B42	42	PM_buff_Sensor10_out6+
PM_buff_Sensor7_out43+	B43	43	PM_buff_Sensor10_out7+
PM_buff_Sensor7_out44+	B44	44	PM_buff_Sensor10_out8+
PM_buff_Sensor7_out45+	B45	45	PM_buff_Sensor10_out9+
PM_buff_Sensor7_out46+	B46	46	PM_buff_Sensor10_out10+
PM_buff_Sensor7_out47+	B47	47	PM_buff_Sensor10_out11+
PM_buff_Sensor7_out48+	B48	48	PM_buff_Sensor10_out12+
PM_buff_Sensor7_out49+	B49	49	PM_buff_Sensor10_out13+
PM_buff_Sensor7_out50+	B50	50	PM_buff_Sensor10_out14+
PM_buff_Sensor7_out51+	B51	51	PM_buff_Sensor10_out15+
PM_buff_Sensor7_out52+	B52	52	PM_buff_Sensor10_out16+
PM_buff_Sensor7_out53+	B53	53	PM_buff_Sensor10_out17+
PM_buff_Sensor7_out54+	B54	54	PM_buff_Sensor10_out18+
PM_buff_Sensor7_out55+	B55	55	PM_buff_Sensor10_out19+
PM_buff_Sensor7_out56+	B56	56	PM_buff_Sensor10_out20+
PM_buff_Sensor7_out57+	B57	57	PM_buff_Sensor10_out21+
PM_buff_Sensor7_out58+	B58	58	PM_buff_Sensor10_out22+
PM_buff_Sensor7_out59+	B59	59	PM_buff_Sensor10_out23+
PM_buff_Sensor7_out60+	B60	60	PM_buff_Sensor10_out24+
PM_buff_Sensor7_out61+	B61	61	PM_buff_Sensor10_out25+
PM_buff_Sensor7_out62+	B62	62	PM_buff_Sensor10_out26+
PM_buff_Sensor7_out63+	B63	63	PM_buff_Sensor10_out27+
PM_buff_Sensor7_out64+	B64	64	PM_buff_Sensor10_out28+
PM_buff_Sensor7_out65+	B65	65	PM_buff_Sensor10_out29+
PM_buff_Sensor7_out66+	B66	66	PM_buff_Sensor10_out30+
PM_buff_Sensor7_out67+	B67	67	PM_buff_Sensor10_out31+
PM_buff_Sensor7_out68+	B68	68	PM_buff_Sensor10_out32+
PM_buff_Sensor7_out69+	B69	69	PM_buff_Sensor10_out33+
PM_buff_Sensor7_out70+	B70	70	PM_buff_Sensor10_out34+
PM_buff_Sensor7_out71+	B71	71	PM_buff_Sensor10_out35+
PM_buff_Sensor7_out72+	B72	72	PM_buff_Sensor10_out36+
PM_buff_Sensor7_out73+	B73	73	PM_buff_Sensor10_out37+
PM_buff_Sensor7_out74+	B74	74	PM_buff_Sensor10_out38+
PM_buff_Sensor7_out75+	B75	75	PM_buff_Sensor10_out39+
PM_buff_Sensor7_out76+	B76	76	PM_buff_Sensor10_out40+
PM_buff_Sensor7_out77+	B77	77	PM_buff_Sensor10_out41+
PM_buff_Sensor7_out78+	B78	78	PM_buff_Sensor10_out42+
PM_buff_Sensor7_out79+	B79	79	PM_buff_Sensor10_out43+
PM_buff_Sensor7_out80+	B80	80	PM_buff_Sensor10_out44+
PM_buff_Sensor7_out81+	B81	81	PM_buff_Sensor10_out45+
PM_buff_Sensor7_out82+	B82	82	PM_buff_Sensor10_out46+
PM_buff_Sensor7_out83+	B83	83	PM_buff_Sensor10_out47+
PM_buff_Sensor7_out84+	B84	84	PM_buff_Sensor10_out48+
PM_buff_Sensor7_out85+	B85	85	PM_buff_Sensor10_out49+
PM_buff_Sensor7_out86+	B86	86	PM_buff_Sensor10_out50+
PM_buff_Sensor7_out87+	B87	87	PM_buff_Sensor10_out51+
PM_buff_Sensor7_out88+	B88	88	PM_buff_Sensor10_out52+
PM_buff_Sensor7_out89+	B89	89	PM_buff_Sensor10_out53+
PM_buff_Sensor7_out90+	B90	90	PM_buff_Sensor10_out54+
PM_buff_Sensor7_out91+	B91	91	PM_buff_Sensor10_out55+
PM_buff_Sensor7_out92+	B92	92	PM_buff_Sensor10_out56+
PM_buff_Sensor7_out93+	B93	93	PM_buff_Sensor10_out57+
PM_buff_Sensor7_out94+	B94	94	PM_buff_Sensor10_out58+
PM_buff_Sensor7_out95+	B95	95	PM_buff_Sensor10_out59+
PM_buff_Sensor7_out96+	B96	96	PM_buff_Sensor10_out60+
PM_buff_Sensor7_out97+	B97	97	PM_buff_Sensor10_out61+
PM_buff_Sensor7_out98+	B98	98	PM_buff_Sensor10_out62+
PM_buff_Sensor7_out99+	B99	99	PM_buff_Sensor10_out63+
PM_buff_Sensor7_out100+	B100	100	PM_buff_Sensor10_out64+



File	<Title>	Rev	<RevCode>
Size	Document Number		
Date	<Doc>		
	Friday, December 21, 2007	Sheet	1 of 1